

## USES:

This machine absorbs the advantages of domestic and external tension net machine, compact structure, high tension of tension net, convenient operation and good appearance, it is the ideal machine for making advertisement and other large-scale net plate and professional batch plate making.

### **I. Functional features:**

Sprocket, chain and screw drive are adopted to synchronize the tension net.

Multiple cylinder synchronous lifting network to ensure that the network cloth, mesh deformation, easy to adhere to the network.

According to the width of the grid and the size of the grid frame change the size of the grid frame, contraction, expansion of the grid frame size operation, easy to locate.

Can stretch more than one at a time with small net frame.

With chain tension mechanism.

Guide and position the guidepost to ensure the parallel displacement of the net, prevent mechanical deformation and protect the wire rod.

### **II. Main technical parameters:**

The Stretcher size:63 x 74.8 x 31.5 inch (160 x 190 x 80 cm)

Max working area: 47x 59 inch (120 x 150 cm)

Mini working area:23.6 x 31.5 inch (60 x 80 cm)

Maximum tension: 25N

### **III.Installation instructions:**

1. Install the four legs on the rack, as shown in figure (1) and (2).
2. Place the connecting plate on the girder and fasten the screws as shown in figure (2).
3. Level the frame with other corners.
4. Install four handwheels on the screw rod on the left hand side of the grid rack. Figure (3)
5. The cylinder shall be installed and locked on the two longest beams, and the cylinder operating board shall be installed at the designated position on the bottom of the longest girder, and the air pipes shall be distributed on each cylinder.

### **IV.Description of stretching network:**

1. Evenly clamp one end (length direction) of the net cloth, then straighten and tighten both sides, and then fold the rest parts. In order to ensure the quality of the tension network, the layout is required to be as smooth as possible.
2. After the mesh cloth is clamped, turn the hand wheel on the grid rack clockwise. At this time, the hand wheel (screw rod) drives the turbine, gear and rack drive and moves outward. When stretching the net, the four sides can be pulled at the same time, but also can be pulled gradually, the length direction because of the different ratio of elongation, relatively longer than the two sides.
3. When the tension reaches the required requirements, then shake the manual valve of the cylinder operating board to the left, making the entire supporting plate parallel rise,

making the net frame close to the net cloth, which can be coated with the net glue. After staining the mesh cloth and so on glue dry can take down the screen. The manual valve is then swung in the opposite direction, and the entire plate is lowered into position.

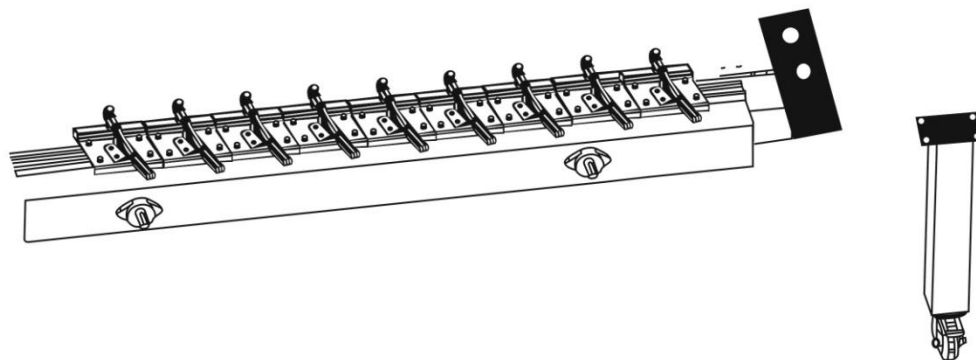
**V. mechanical maintenance:**

1. The gear, chain and other transmission parts shall be lubricated and lubricated regularly.
2. Exercise parts should be checked frequently to prevent loose.

## Mechanical Stretching Machine of printer operation



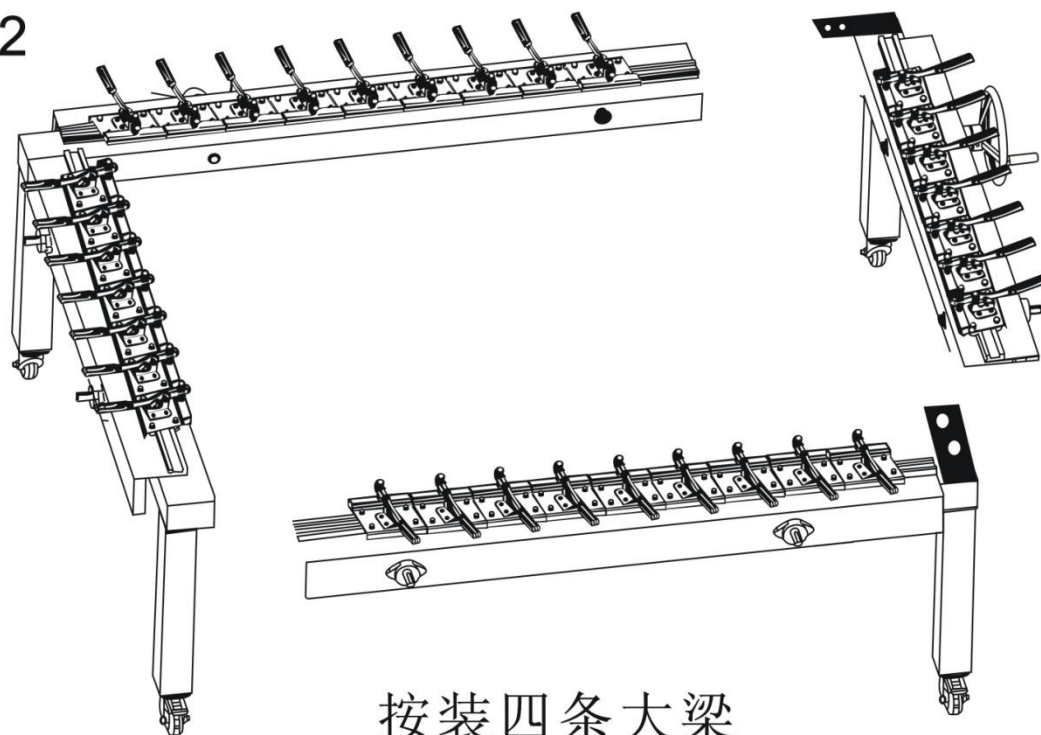
图1



按装四条脚

The installation Four legs

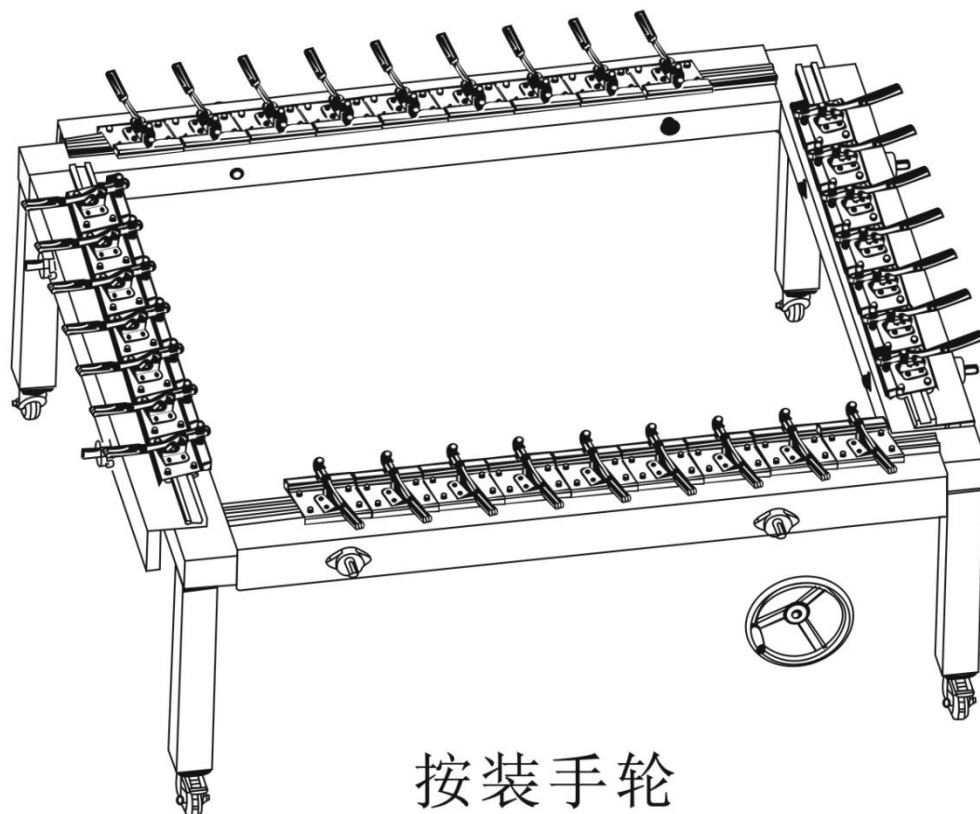
图2



按装四条大梁

The installation Article 4 the girder

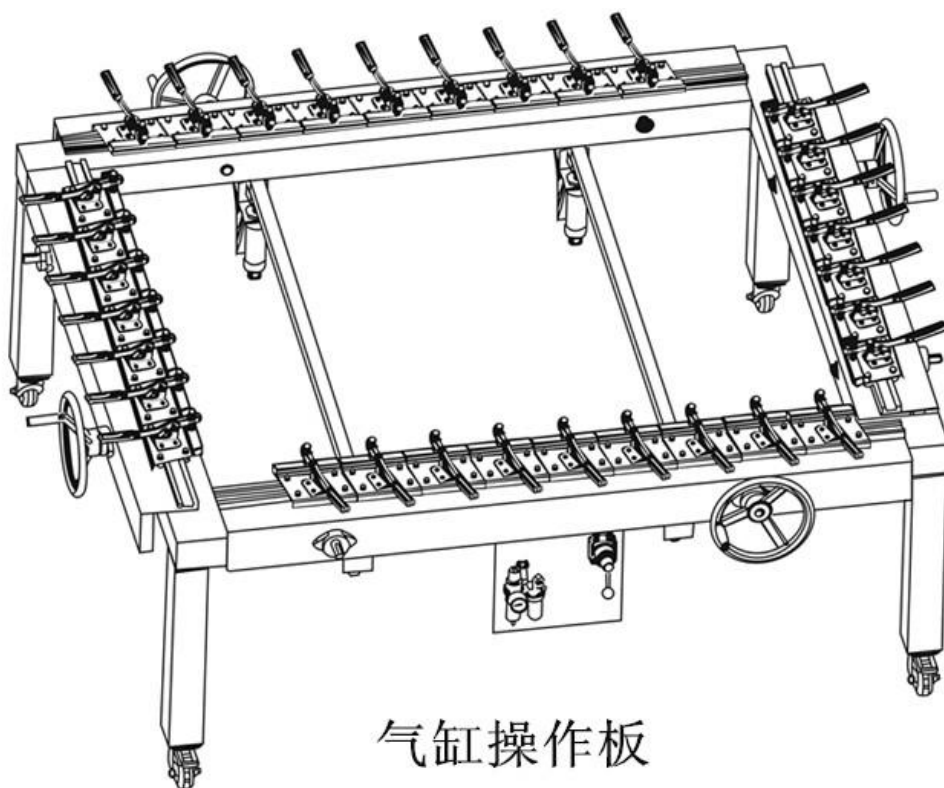
图3



按装手轮

The installation handwheel

图4



气缸操作板

The installation Operation panel